

Connectors M 23 RJ 45



Housings

page 38



Accessories

page 41



M 23 RJ45 Control Signal Connectors

Technical Data	M 23 RJ45
Housing Material	Brass Alloy, Die Cast
Surface Material	Nickel Plated
Contact Inserts	PBT UL-94 V0, PA 6
Contact Material	Brass Alloy
Contact Surface	Depends on RJ 45 type used
Mating Cycle	-
Type Contact	-
Seal	NBR /FKM (Viton)
Temperature Range	Depends on RJ 45 type used
Degree of Protection	IP 67 / IP 69K per EN 60529 (mated)
Cable Diameter	3-7 / 7-12 / 11-17mm
Number of Positions	4 / 6 / 8-pos, optional 4 + 2 / 6 + 2 / 8 + 2
Number of Contacts	-
Contact Diameter in mm	-
Gauge	-
Nominal Current ¹⁾ [A]	Depends on RJ 45 type used
Nominal Voltage ²⁾ [V~]	Depends on RJ 45 type used
Test Voltage [V~]	Depends on RJ 45 type used
Insulation Resistance [MΩ]	Depends on RJ 45 type used
Max. Crossover Resistance [mΩ]	Depends on RJ 45 type used
Max. Data Rate	Depends on RJ 45 type used

Straight Female Connector		Cable-Ø	Part Number
		3 – 7 mm (.12 - .28")	7.R10.400.000
		Connector with patch cable insert	
		Suitable patch cable can be recommended	
Inserts page 41 • Assembly instructions page 42			

Straight Male Connector		Cable-Ø	Part Number
		3 – 7 mm (.12 - .28")	7.R20.408.000
		Incl. 8-pos coupler, fully occupied	

Panel Connector Front Mount with solder insert		Type	Part Number	
		4 holes 2.7 mm, Flange	7.R40.008.000	
		Incl. 8-pos solder insert		
		4 holes 2.7 mm, Flange	7.R40.082.000	
		Incl. 8 + 2 pos solder insert		


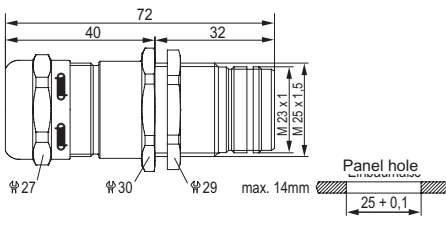
Panel Connector, Front Mount		Type	Part Number
		with vibration protection	
		4 holes 2.7 mm, Flange	7.R41.008.000
		Incl. 8-pos coupler, fully occupied	


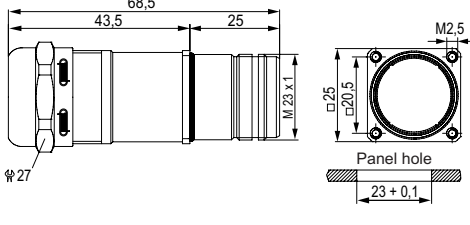
Type	Part Number	Single Hole Panel Connector
Front Mount M20 x 1,5 thread7.R42.008.000 Incl. 8-pos coupler, fully occupied Optional: Gasket M20 x 1,5, Locking Nut		

Type	Part Number	Single Hole Panel Connector
Rear Mount M20 x 1,5 thread7.R50.008.000 Incl. 8-pos coupler, fully occupied M25 x 1,5 Locking Nut included		

Type	Part Number	Elbow Panel Connector, swivel
M20 x 1,5 thread7.R43.008.000 Incl. 8-pos coupler, fully occupied Optional: Gasket Simple installation with M2.5 screws		

Type	Part Number	Single Hole Panel Connector, Rear Mount
with vibration protection M20 x 1,5 thread7.R45.008.000 Incl. 8-pos solder insert M20 x 1,5 thread7.R45.082.000 Incl. 8 + 2-pos solder insert		

Single Hole Panel Mount with cable strain relief		Type	Part Number
		Single Hole, RearMount , M25 x 1,5 thread 3 – 7 mm (.12 - .28")7.R52.408.000 Incl. 8-pos coupler, fully occupied M25 x 1,5 Locking Nut included	

Panel Mount with cable strain relief		Type	Part Number
		4 holes 3.2 mm, Front or Rear Mount 3 – 7 mm (.12 - .28")7.R47.408.000 Incl. 8-pos coupler, fully occupied	

Type	Part Number	Accessories
Plastic protective cap for connectors with male thread	7.000.900.101	
for connectors with female thread	7.000.900.102	
<hr/>		
Brass protective cap for connectors with female thread	7.010.900.103	
<hr/>		
Brass protective cap for connectors with male thread	7.010.900.102	
<hr/>		
Brass protective cap with chain for connectors with female thread	Length 70 mm7.010.9S0.703 Length 100 mm7.010.9S1.003	
<hr/>		
Brass protective cap with chain for connectors with male thread	Length 70 mm7.010.9S0.702 Length 100 mm7.010.9S1.002	
<hr/>		
Adapter for cable, Panel Connector, male thread	7.010.900.125	
<hr/>		
Adapter for Conduit Fittings	Snapflex 16..... 7.010.900.204 DN 12 7.010.900.205 Snapflex 20..... 7.010.900.206 DN 14 7.010.900.207 Snapflex 25..... 7.010.900.208 DN 17 7.010.900.209	
<hr/>		
Suitable patch cable	on request	
<hr/>		
Field Attachable Connector and Plugs	on request	
<hr/>		
Please see assembly instructions on page 30		

Connectors M 23RJ45 / Assembly Instructions

Straight Connector, Male Thread

